



**INSTALLATION
OPERATION AND SERVICE MANUAL
FFM35L. . .-SA5 SERIES
AIR CURTAIN**



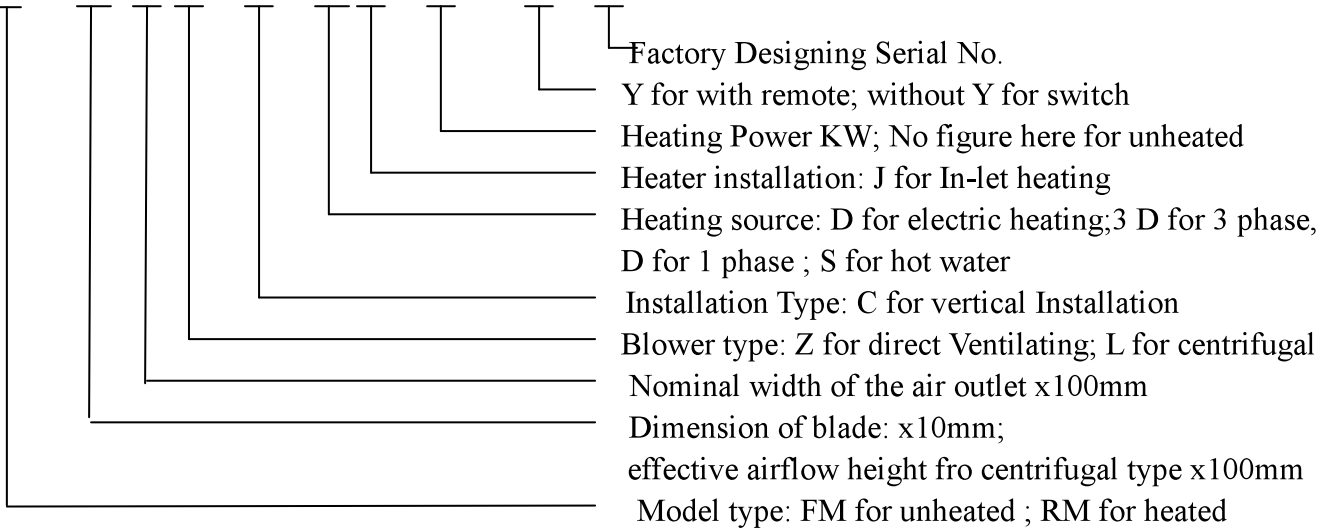
2010 V.1.0

1、 PRODUCT INTRODUCTION

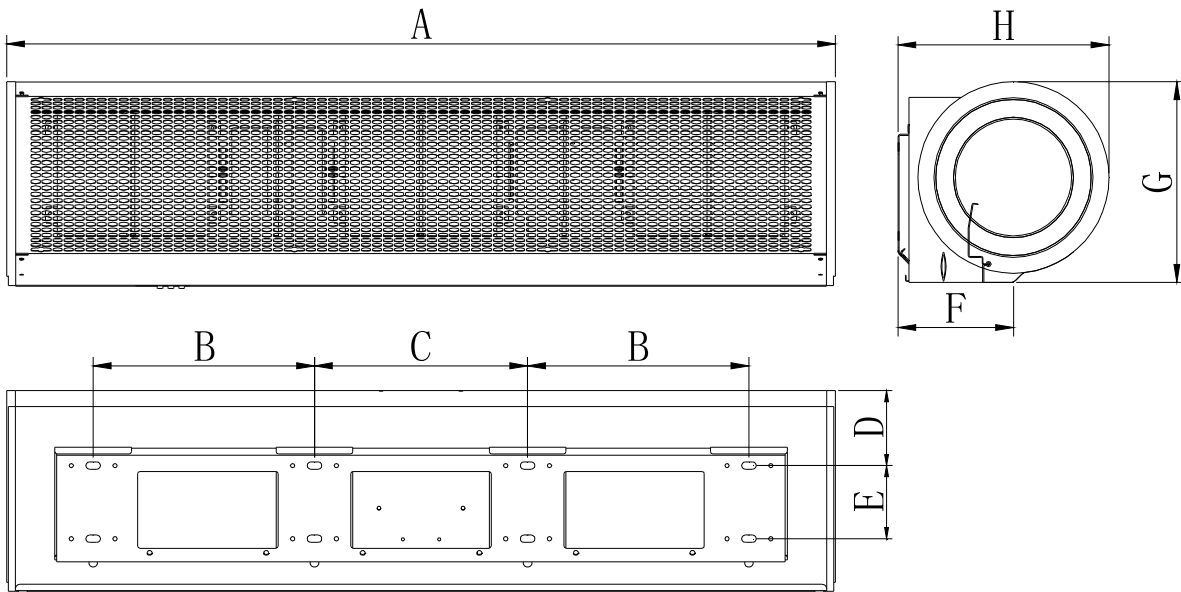
As one of the new top-class products for modern decoration, air curtain is also matched with the air-conditioner. And it is installed at the entrances of supermarket, theater, meeting room, hotel, office room, work shop and storeroom to prevent the dust, mosquito and warm air, and so on.

2、 Description of air curtain model name:

□ - □ □ □ - □ □ □ □ / □ - □



3、 IDENTIFICATION & INSTALLATION DIMENSIONS (mm)

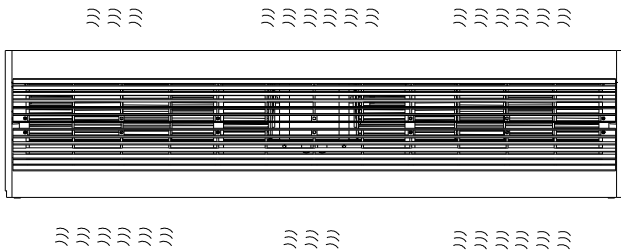


ODE		B	C	D	E		G	H
				7				7
		7.						
		4 7.						

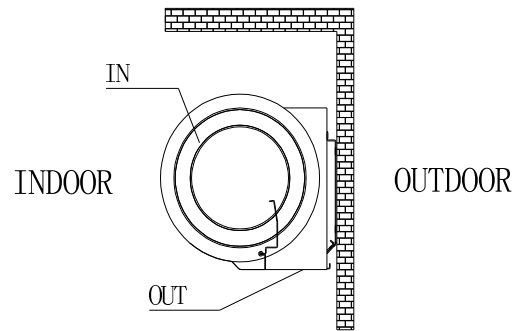
4、INSTALLATION PRECAUTION

Ensure to follow these directions for installation:

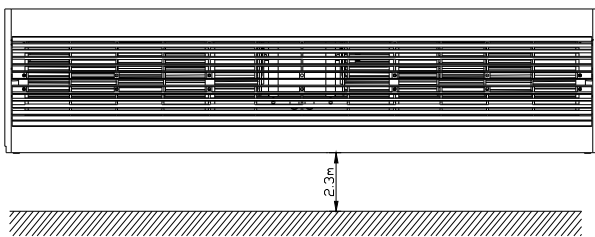
4.1 Please install the unit in a sturdy place to avoid any shaking, vibration or noise. The unit should be securely fixed.



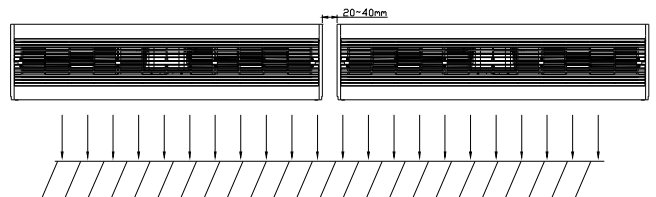
4.2 Please install the unit inside the room.



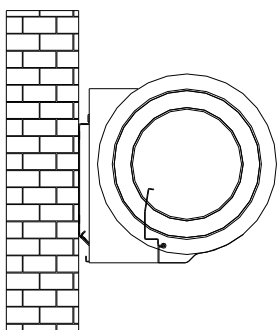
4.3 Don't install the unit too low, no less than 2.3 meters from the ground.



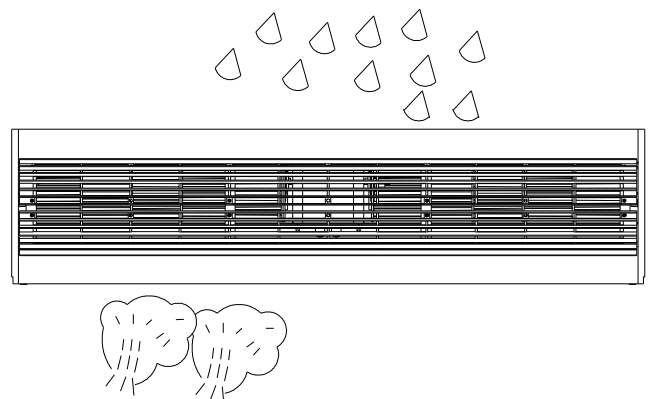
4.4 When the entrance is wider than the unit, it is recommended to install two or more units in parallel. In this case, provide 20-40mm gaps between the units.



4.5 Don't allow gaps between the unit and the wall. When hanging it from the ceiling, use the enclosed ceiling brackets.



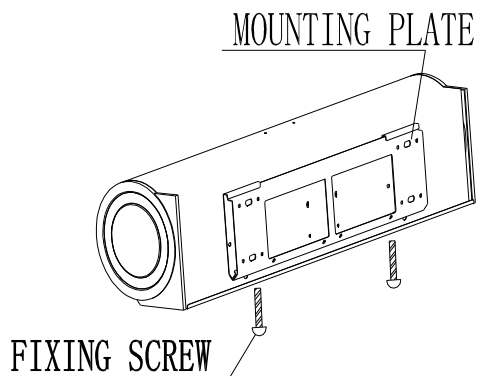
4.6 Don't install the unit in a place where it is splashed by water, exposed to excessive steam, explosive gas or corrosive gas.



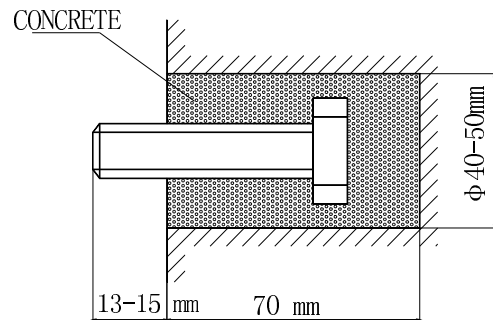
5. INSTALLATION

A. Installing against a concrete wall:

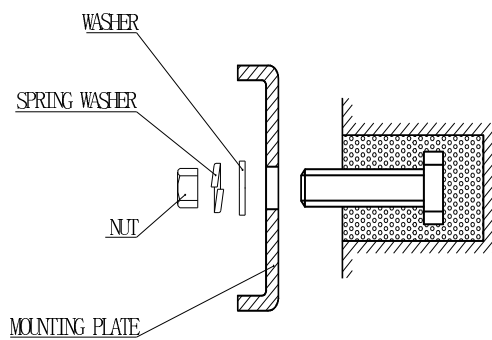
5.1.1 Remove the mounting plate.
Undo the fixed screws on the back of main body to remove the mounting plate.



5.1.2 Fix the bolts in the proper position (Decide the position with the mounting plate.)

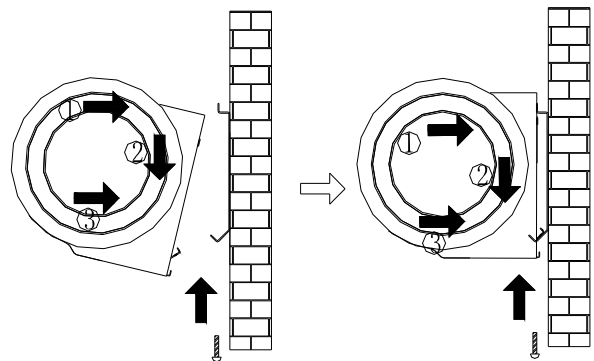


5.1.3 Fit the mounting plate



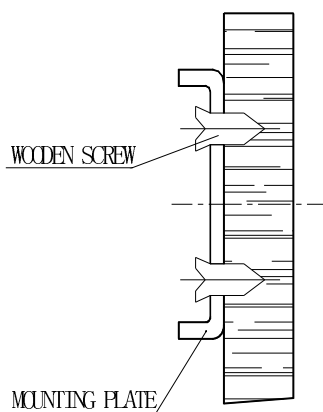
5.1.4 Install the main body

Set the main body onto the upper end of the mounting plate and clamp it as shown.

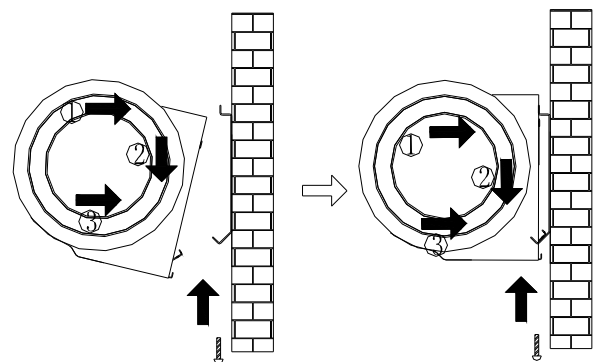


B. Installing on a wooden or dry wall

5.2.1 Fix the mounting plate in the proper positions with tapping screw.

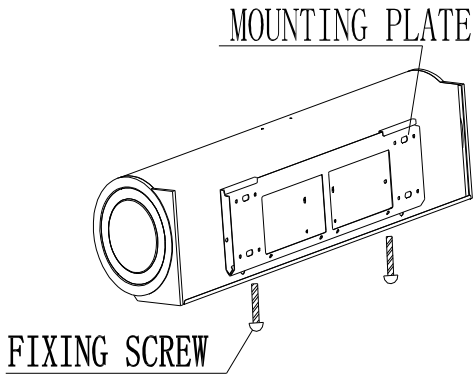


5.2.2 Proceed as per step 4 above

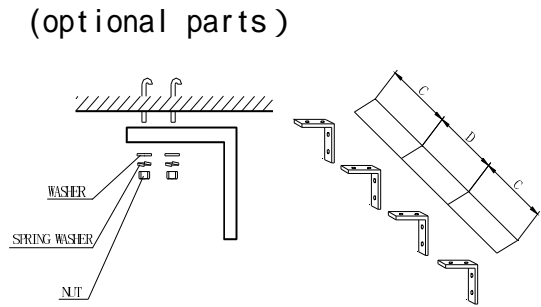


C. Hanging from the ceiling

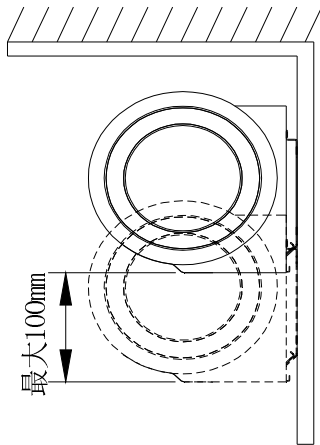
5.3.1 Remove the mounting plate from main body
(Same as step 5.1.1)



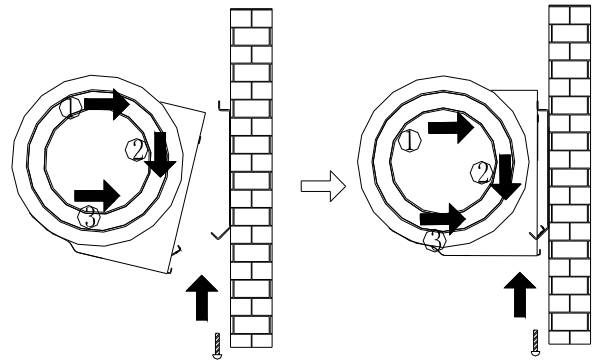
5.3.2 Fixing ceiling brackets as Fig.



5.3.3 Set the mounting plate on the ceiling brackets and ensure a secure fixing with use of the bolts. Using the ceiling brackets to hang from the ceiling, the position of mounting plate can be adjusted in the limit of 100mm.



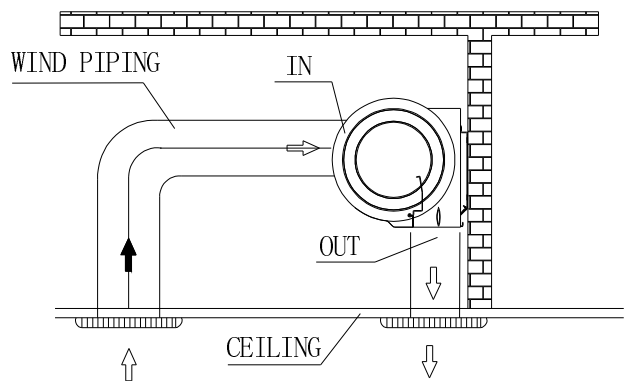
5.3.4 Do the same as step A to install the main body.



D、 For above ceiling

5.4.1 Fix the air curtain as in the procedure for installing on the concrete wall.

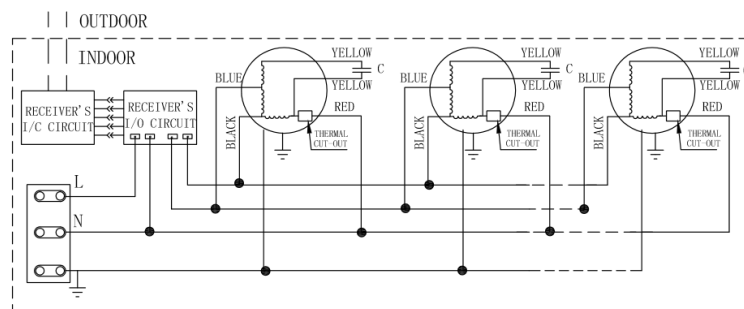
5.4.2 Then pipe as per Fig.



6、 TECHNICAL INFORMATION

MODEL	Diam of wheel (mm)	Volt. (V~)	Fre q (Hz)	Max input power (W)		Max air speed (m/s)		Noise (dB)		Air volume (m ³ /h)		Net weight (Kg)	Dimension (mm)	
				Hi	Lo	Hi	Lo	Hi	Lo	Hi	Lo			
FFM-3509L-Y-SA5	120	220-240	50	285	200	16	13	52	49	1100	900	13.5	935X237X225	
FFM-3512L-Y-SA5				370	270			53	50	1500	1200		16.5	1230X237X225
FFM-3515L-Y-SA5				470	340			55	52	1900	1500		21.5	1525X237X225

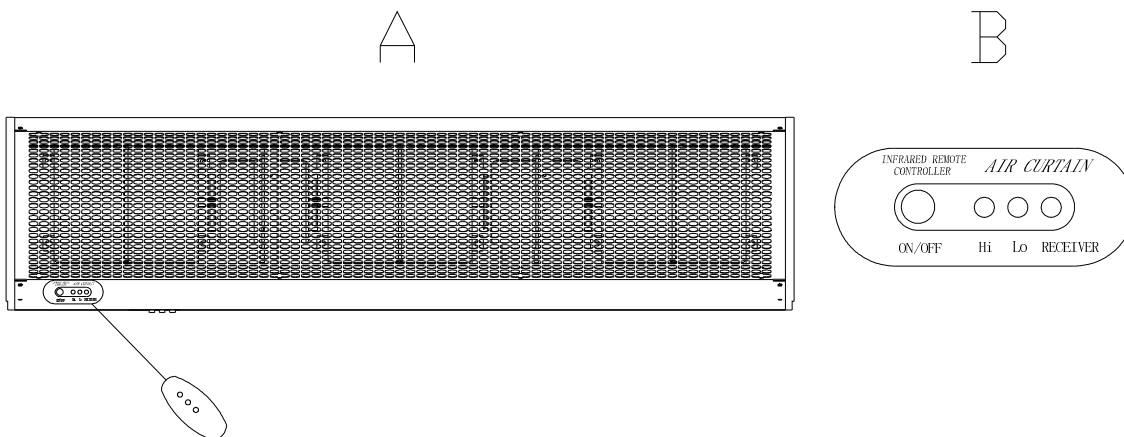
7、 ELECTRICAL CONNECTION



DOUBLE SPEED INFRARED CONTROLLED WIRING DIAGRAM


8、 OPERATION

- 8.1 Turn on the power.
- 8.1.2 Select the suitable speed: High[Hi], Low[Lo]
- 8.1.3 According to use adjust the grate to obtain the best effect.




9、 CAUTIONS

- a). Use the unit at the rated voltage and frequency indicated on the nameplate.
- b). Disconnect power source before unit servicing.
- c). Routine maintenance must be done every year.
- d). Never use petrol, benzene, thinners or any other such chemical for cleaning the unit.
- e). Don't allow water or any liquid to enter the motor.
- f). When power supply comes from a socket, the plug must be in accordance with IEC335-1. When the power cord is connected directly to power ensure a appropriate circuit breaker is installed to comply with local regulations.



Manufacturer/Gyártó: Guangzhou Ruilong Electrical Appliance Ltd.
East Side of Hua Chen Market, Hua Shan Town
Hua Du District, Guangzhou, China



Importer/Importőr: Columbus Klímaértékesítő Kft.
H-2142 Nagytarcsa, Pesti út 15